

Aeron® Chairs

Performance Information	2
Methodology and Dimension Description	3
Work Chairs Seating Measurements	5
Size/Fit Reference	11
Work Chair	12
Work Stool	17
PostureFit® Support	21
PostureFit SL® Support	22
Lumbar Kit	23
Arm Kit	24
Arm Pads	25
Frame Appliqué	26
Casters and Glides	27

Specifications are based on the latest information available at the time of publication. The right is reserved to make changes at any time without notice in finishes, materials, specifications, and models and to discontinue models and finishes.

For specific information about features and options available on each model, prices, and ordering information, please refer to the current Herman Miller price book.

Herman Miller, Inc., products are designed, developed and tested to meet and exceed industry standards.

Aeron seating has been tested to the applicable requirements of ANSI/BIFMA X5.1-2017 (general-purpose office chair tests). In addition Aeron seating is tested to Herman Miller proprietary performance tests which are engineered/created for the specific innovative design and options of Aeron.

Herman Miller's Quality Assurance Group randomly and periodically tests standard products (seating) to ensure ongoing compliance to ANSI/BIFMA and Herman Miller corporate standards.

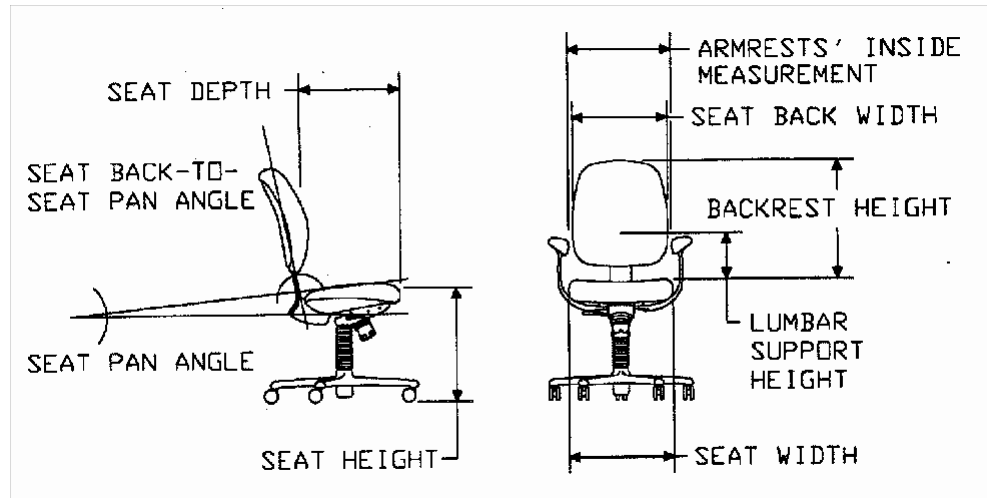
© 2026 Herman Miller, Inc., Zeeland, Michigan

® Aeron, 8Z Pellicle, Perspectives, PostureFit, and PostureFit SL are among the registered trademarks of Herman Miller, Inc.

™ Fine-Tune is among the trademarks of Herman Miller, Inc.

® Delrin and Hytrel are registered trademarks of DuPont

The following measurements reflect dimensional information necessary for space planning and standards/codes compliance data. The measurements relevant to standards/codes were taken with a Chair Measuring Device (CMD) in accordance with the BIFMA G-1 2013 ergonomic guideline. Other measurements were taken using a variety of techniques.



Seat height

Distance between the floor and the compressed seat where the user's thigh meets the seat.

Seat depth

Distance from the seat reference point (approximate rear of the seat) to the front edge of the seat.

Seat width

Width of the chair seat at the spindle center (or at the geometric center if there is no spindle).

Seat pan angle

Seat angle in relation to the floor.

Seat-to-back angle

Angle between the seat back and the seat pan at centerline.

Backrest height

Distance from the seat at centerline to the highest point of the chair back.

Lumbar support

Height of the lumbar support region as measured from the seat reference point (approximate rear of the seat) to the center of the lumbar support.

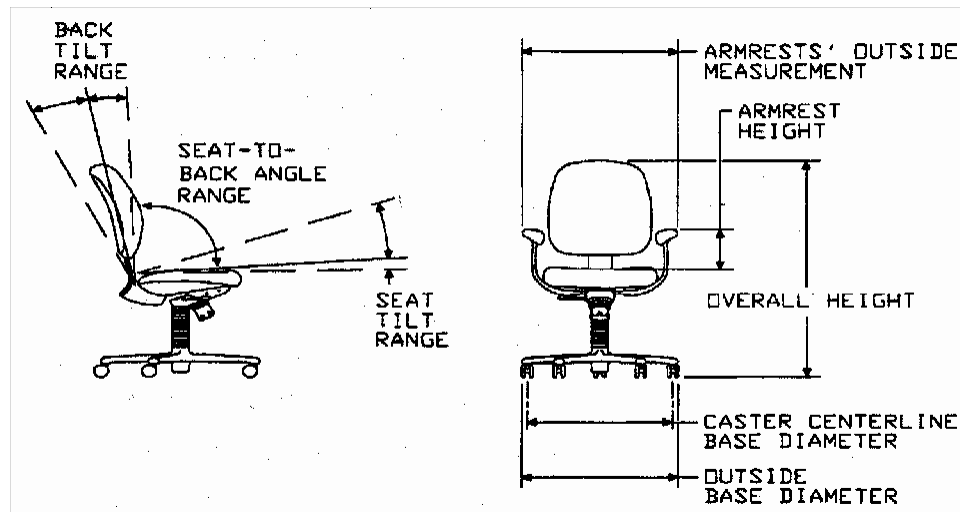
Seat back width

Width of the seat back at the lumbar support region.

Armpads, inside measurement

Distance between the armpads.

The remaining measurements, displayed in the subsequent “Seating Measurements” charts, are taken in accordance with Herman Miller, Inc., test lab procedures.



Armpads, outside measurement

Overall distance from the outer edge of 1 armpad to the outer edge of the other armpad.

Overall height

Distance from the floor to the highest point of a chair back (unloaded).

Seat-to-back-angle range

Angle between the back and the seat from neutral to fully reclined.

Back tilt range

Angular movement of the back from forward or neutral to fully reclined in relation to the floor.

Seat tilt range

Angular movement of the seat from forward or neutral to fully reclined in relation to the floor.

Armpad height

Distance from the seat cushion at its geometric center to the top of an armpad.

Outside base diameter

Overall diameter of the base.

Centerline base diameter

Diameter of the base at the centerline of the casters or the glides.

- ¹ Stationary chair in neutral position
- ² Height to center of lumbar support region without lumbar pad, with lumbar pad in lowest position, and with lumbar pad in highest position measured from pivot point of the pad
- ³ Height from base of seat to the pivot point of the sacral pad
- ⁴ Inward adjustment/ height from base of seat to the pivot point of the sacral and lumbar pads
- ⁵ Neutral position of the seat angle for adjustable arms (height adjustable plus pivot, and fully adjustable arms can also pivot 16 degrees inward and 16 degrees outward)
- ⁶ Range of height while the chair is in the neutral position
- ⁷ Range for forward-to-reclined positions
- ⁸ Forward angle/neutral angle/ reclined angle
- ⁹ Armpad slide range is rearward of neutral position

Aeron Work Chairs Seating Measurements

Seat height and overall height shown with 2 1/2" caster

Chair Description	Seat Height	Seat Depth	Seat Width	Seat Pan Angle	Seat to Back Angle ¹	Backrest Height	Lumbar Support ²	PostureFit ³	PostureFit SL ⁴	Back Width	Armpads Inside/ Outside ⁵	Overall Height ⁶	Seat to Back Angle Range ⁷	Tilt Range Back ⁸	Tilt Range Seat	Armpad Height	Armpad Slide Range ⁹	Base Diameter (Outside)	Base Diameter (Centerline)	Weight (Pounds)
Work Chairs: Tilt Limiter and Seat Angle- Size A																				
Fully Adjustable Arms AER1A13DF, AER1A13DW	L: 14.4-19.3"	16"	19"	Neutral: 4° Forward: -1°	96°	20.5"	7.9" 4.25-9.5"	4.3"	Range: 1.25" Sacral Height: 4.25" Lumbar Height: 8.5"	14.8"	Neutral Inside: 17.4" Neutral Outside: 25.4" Narrow Inside: 13.1" Wide Outside: 29.3"	L: 34.25-38.5"	93.5-104°	93.3/120.8°	-1/16°	7.5-11.5"	2.375"	Nylon: 27" Aluminum: 27.5"	Nylon: 25.5" Aluminum: 26.0"	39
Height Adjustable Plus Pivot Arms AER1A13AF, AER1A13AW	L: 14.4-19.3"	16"	19"	Neutral: 4° Forward: -1°	96°	20.5"	7.9" 4.25-9.5"	4.3"	Range: 1.25" Sacral Height: 4.25" Lumbar Height: 8.5"	14.8"	Neutral Inside: 17.4" Neutral Outside: 25.4" Narrow Inside: 13.1" Wide Outside: 29.3"	L: 34.25-38.5"	93.5-104°	93.3/120.8°	-1/16°	7.5-11.5"		Nylon: 27" Aluminum: 27.5"	Nylon: 25.5" Aluminum: 26.0"	38
Height Adjustable Arms AER1A13HF, AER1A13HW	L: 14.4-19.3"	16"	19"	Neutral: 4° Forward: -1°	96°	20.5"	7.9" 4.25-9.5"	4.3"	Range: 1.25" Sacral Height: 4.25" Lumbar Height: 8.5"	14.8"	Neutral Inside: 17.4" Neutral Outside: 25.4"	L: 34.25-38.5"	93.5-104°	93.3/120.8°	-1/16°	7.5-11.5"		Nylon: 27" Aluminum: 27.5"	Nylon: 25.5" Aluminum: 26.0"	38
Fixed Arms AER1A13PF, AER1A13PW	L: 14.4-19.3"	16"	19"	Neutral: 4° Forward: -1°	96°	20.5"	7.9" 4.25-9.5"	4.3"	Range: 1.25" Sacral Height: 4.25" Lumbar Height: 8.5"	14.8"	Neutral Inside: 17.4" Neutral Outside: 25.4"	L: 34.25-38.5"	93.5-104°	93.3/120.8°	-1/16°	8.5"		Nylon: 27" Aluminum: 27.5"	Nylon: 25.5" Aluminum: 26.0"	38
No Arms AER1A13NN	L: 14.4-19.3"	16"	19"	Neutral: 4° Forward: -1°	96°	20.5"	7.9" 4.25-9.5"	4.3"	Range: 1.25" Sacral Height: 4.25" Lumbar Height: 8.5"	14.8"	Neutral Inside: 17.4" Neutral Outside: 25.4"	L: 34.25-38.5"	93.5-104°	93.3/120.8°	-1/16°			Nylon: 27" Aluminum: 27.5"	Nylon: 25.5" Aluminum: 26.0"	33.3
Work Chairs: Tilt Limiter and Seat Angle- Size B																				
Fully Adjustable Arms AER1B23DF, AER1B23DW	L: 14.8-19.7" S: 15.8- 20.8" H: 16.8- 22.8"	17"	20.25"	Neutral: 4° Forward: -1°	96°	22.75"	9.1" 4.6-9.9"	4.6"	Range: 1.25" Sacral Height: 4.625" Lumbar Height: 8.875"	17"	Neutral Inside: 18.5" Neutral Outside: 26.5" Narrow Inside: 14.1" Wide Outside: 30.4"	L: 35.875- 40.125"	93.5-104°	93.3/120.8°	-1/16°	7.5-11.5"	2.375"	Nylon: 28.3" Aluminum: 27.5"	Nylon: 26.8" Aluminum: 26.0"	39.9
Height Adjustable Plus Pivot Arms AER1B23AF, AER1B23AW	L: 14.8-19.7" S: 15.8- 20.8" H: 16.8- 22.8"	17"	20.25"	Neutral: 4° Forward: -1°	96°	22.75"	9.1" 4.6-9.9"	4.6"	Range: 1.25" Sacral Height: 4.625" Lumbar Height: 8.875"	17"	Neutral Inside: 18.5" Neutral Outside: 26.5" Narrow Inside: 14.1" Wide Outside: 30.4"	L: 35.875- 40.125"	93.5-104°	93.3/120.8°	-1/16°	7.5-11.5"		Nylon: 28.3" Aluminum: 27.5"	Nylon: 26.8" Aluminum: 26.0"	38.9
Height Adjustable Arms AER1B23HF, AER1B23HW	L: 14.8-19.7" S: 15.8- 20.8" H: 16.8- 22.8"	17"	20.25"	Neutral: 4° Forward: -1°	96°	22.75"	9.1" 4.6-9.9"	4.6"	Range: 1.25" Sacral Height: 4.625" Lumbar Height: 8.875"	17"	Neutral Inside: 18.5" Neutral Outside: 26.5" Narrow Inside: 14.1" Wide Outside: 30.4"	L: 35.875- 40.125"	93.5-104°	93.3/120.8°	-1/16°	7.5-11.5"		Nylon: 28.3" Aluminum: 27.5"	Nylon: 26.8" Aluminum: 26.0"	38.9
Fixed Arms AER1B23PF, AER1B23PW	L: 14.8-19.7" S: 15.8- 20.8" H: 16.8- 22.8"	17"	20.25"	Neutral: 4° Forward: -1°	96°	22.75"	9.1" 4.6-9.9"	4.6"	Range: 1.25" Sacral Height: 4.625" Lumbar Height: 8.875"	17"	Neutral Inside: 18.5" Neutral Outside: 26.5" Narrow Inside: 14.1" Wide Outside: 30.4"	L: 35.875- 40.125"	93.5-104°	93.3/120.8°	-1/16°	8.5"		Nylon: 28.3" Aluminum: 27.5"	Nylon: 26.8" Aluminum: 26.0"	38.9
No Arms AER1B23NN	L: 14.8-19.7" S: 15.8- 20.8" H: 16.8- 22.8"	17"	20.25"	Neutral: 4° Forward: -1°	96°	22.75"	9.1" 4.6-9.9"	4.6"	Range: 1.25" Sacral Height: 4.625" Lumbar Height: 8.875"	17"	Neutral Inside: 18.5" Neutral Outside: 26.5" Narrow Inside: 14.1" Wide Outside: 30.4"	L: 35.875- 40.125"	93.5-104°	93.3/120.8°	-1/16°			Nylon: 28.3" Aluminum: 27.5"	Nylon: 26.8" Aluminum: 26.0"	34.2
Work Chairs: Tilt Limiter and Seat Angle- Size C																				
Fully Adjustable Arms AER1C23DF, AER1C23DW	S: 15.8- 20.8" H: 16.8- 22.8"	18.5"	21.6"	Neutral: 4° Forward: -1°	96°	25.0"	9.6" 5.0-10.25"	5.0"	Range: 1.25" Sacral Height: 5" Lumbar Height: 9.25"	18.75"	Neutral Inside: 19.6" Neutral Outside: 27.6" Narrow Inside: 15.4" Wide Outside: 31.6"	L: 37.875-42.125"	93.5-104°	93.3/120.8°	-1/16°	7.5-11.5"	2.375"	Nylon: 28.3" Aluminum: 27.5"	Nylon: 26.8" Aluminum: 26.0"	42.2
Height Adjustable Plus Pivot Arms AER1C23AF, AER1C23AW	S: 15.8- 20.8" H: 16.8- 22.8"	18.5"	21.6"	Neutral: 4° Forward: -1°	96°	25.0"	9.6" 5.0-10.25"	5.0"	Range: 1.25" Sacral Height: 5" Lumbar Height: 9.25"	18.75"	Neutral Inside: 19.6" Neutral Outside: 27.6" Narrow Inside: 15.4" Wide Outside: 31.6"	L: 37.875-42.125"	93.5-104°	93.3/120.8°	-1/16°	7.5-11.5"		Nylon: 28.3" Aluminum: 27.5"	Nylon: 26.8" Aluminum: 26.0"	41.2
Height Adjustable Arms AER1C23HF, AER1C23HW	S: 15.8- 20.8" H: 16.8- 22.8"	18.5"	21.6"	Neutral: 4° Forward: -1°	96°	25.0"	9.6" 5.0-10.25"	5.0"	Range: 1.25" Sacral Height: 5" Lumbar Height: 9.25"	18.75"	Neutral Inside: 19.6" Neutral Outside: 27.6" Narrow Inside: 15.4" Wide Outside: 31.6"	L: 37.875-42.125"	93.5-104°	93.3/120.8°	-1/16°	7.5-11.5"		Nylon: 28.3" Aluminum: 27.5"	Nylon: 26.8" Aluminum: 26.0"	41.2
Fixed Arms AER1C23PF, AER1C23PW	S: 15.8- 20.8" H: 16.8- 22.8"	18.5"	21.6"	Neutral: 4° Forward: -1°	96°	25.0"	9.6" 5.0-10.25"	5.0"	Range: 1.25" Sacral Height: 5" Lumbar Height: 9.25"	18.75"	Neutral Inside: 19.6" Neutral Outside: 27.6" Narrow Inside: 15.4" Wide Outside: 31.6"	L: 37.875-42.125"	93.5-104°	93.3/120.8°	-1/16°	8.5"		Nylon: 28.3" Aluminum: 27.5"	Nylon: 26.8" Aluminum: 26.0"	41.2
No Arms AER1C23NN	S: 15.8- 20.8" H: 16.8- 22.8"	18.5"	21.6"	Neutral: 4° Forward: -1°	96°	25.0"	9.6" 5.0-10.25"	5.0"	Range: 1.25" Sacral Height: 5" Lumbar Height: 9.25"	18.75"	Neutral Inside: 19.6" Neutral Outside: 27.6" Narrow Inside: 15.4" Wide Outside: 31.6"	L: 37.875-42.125"	93.5-104°	93.3/120.8°	-1/16°			Nylon: 28.3" Aluminum: 27.5"	Nylon: 26.8" Aluminum: 26.0"	36.5

- ¹ Stationary chair in neutral position
- ² Height to center of lumbar support region without lumbar pad, with lumbar pad in lowest position, and with lumbar pad in highest position measured from pivot point of the pad
- ³ height from base of seat to the pivot point of the sacral pad
- ⁴ Inward adjustment/ height from base of seat to the pivot point of the sacral and lumbar pads
- ⁵ Neutral position of the seat angle for adjustable arms (height adjustable plus pivot, and fully adjustable arms can also pivot 16 degrees inward and 16 degrees outward)
- ⁶ Range of height while the chair is in the neutral position
- ⁷ Range for forward-to-reclined positions
- ⁸ Forward angle/neutral angle/ reclined angle
- ⁹ Armpad slide range is rearward of neutral position

Aeron Work Chairs Seating Measurements

Seat height and overall height shown with 2 1/2" caster

Chair Description	Seat Height	Seat Depth	Seat Width	Seat Pan Angle	Seat to Back Angle ¹	Backrest Height	Lumbar Support ²	PostureFit ³	PostureFit SL ⁴	Back Width	Armpads Inside/ Outside ⁵	Overall Height ⁶	Seat to Back Angle Range ⁷	Tilt Range Back ⁸	Tilt Range Seat	Armpad Height	Armpad Slide Range ⁹	Base Diameter (Outside)	Base Diameter (Centerline)	Weight (Pounds)
Work Chairs: Tilt Limiter - Size A																				
Fully Adjustable Arms AER1A12DF, AER1A12DW	L: 15.1-19.3"	16"	19"	Neutral: 4°	96°	20.5"	7.9" 4.25-9.5"	4.3"	Range: 1.25" Sacral Height: 4.25" Lumbar Height: 8.5"	14.8"	Neutral Inside: 17.4" Neutral Outside: 25.4" Narrow Inside: 13.1" Wide Outside: 29.3"	L: 34.25-38.5"	93.5-104°	93.3/120.8°	-1/16°	7.5-11.5"	2.375"	Nylon: 27"	Nylon: 25.5"	39 Aluminum: 21; Aluminum: 26.0"
Height Adjustable Plus Pivot Arms AER1A12AF, AER1A12AW	L: 15.1-19.3"	16"	19"	Neutral: 4°	96°	20.5"	7.9" 4.25-9.5"	4.3"	Range: 1.25" Sacral Height: 4.25" Lumbar Height: 8.5"	14.8"	Neutral Inside: 17.4" Neutral Outside: 25.4" Narrow Inside: 13.1" Wide Outside: 29.3"	L: 34.25-38.5"	93.5-104°	93.3/120.8°	-1/16°	7.5-11.5"		Nylon: 27"	Nylon: 25.5"	38 Aluminum: 21; Aluminum: 26.0"
Height Adjustable Arms AER1A12HF, AER1A12HW	L: 15.1-19.3"	16"	19"	Neutral: 4°	96°	20.5"	7.9" 4.25-9.5"	4.3"	Range: 1.25" Sacral Height: 4.25" Lumbar Height: 8.5"	14.8"	Neutral Inside: 17.4" Neutral Outside: 25.4"	L: 34.25-38.5"	93.5-104°	93.3/120.8°	-1/16°	7.5-11.5"		Nylon: 27"	Nylon: 25.5"	38 Aluminum: 21; Aluminum: 26.0"
Fixed Arms AER1A12PF, AER1A12PW	L: 15.1-19.3"	16"	19"	Neutral: 4°	96°	20.5"	7.9" 4.25-9.5"	4.3"	Range: 1.25" Sacral Height: 4.25" Lumbar Height: 8.5"	14.8"	Neutral Inside: 17.4" Neutral Outside: 25.4"	L: 34.25-38.5"	93.5-104°	93.3/120.8°	-1/16°	8.5"		Nylon: 27"	Nylon: 25.5"	38 Aluminum: 21; Aluminum: 26.0"
No Arms AER1A12NN	L: 15.1-19.3"	16"	19"	Neutral: 4°	96°	20.5"	7.9" 4.25-9.5"	4.3"	Range: 1.25" Sacral Height: 4.25" Lumbar Height: 8.5"	14.8"	Neutral Inside: 17.4" Neutral Outside: 25.4"	L: 34.25-38.5"	93.5-104°	93.3/120.8°	-1/16°			Nylon: 27"	Nylon: 25.5"	33.3 Aluminum: 21; Aluminum: 26.0"
Work Chairs: Tilt Limiter - Size B																				
Fully Adjustable Arms AER1B22DF, AER1B22DW	L: 15.5-19.7" S: 16.4- 20.8" H: 17.4- 22.8"	17"	20.25"	Neutral: 4°	96°	22.75"	9.1" 4.6-9.9"	4.6"	Range: 1.25" Sacral Height: 4.625" Lumbar Height: 8.875"	17"	Neutral Inside: 18.5" Neutral Outside: 26.5" Narrow Inside: 14.1" Wide Outside: 30.4"	L: 35.875- 40.125 S: 36.75- 41.125" H: 37.875-43.25"	93.5-104°	93.3/120.8°	-1/16°	7.5-11.5"	2.375"	Nylon: 28.3"	Nylon: 26.8"	39.9 Aluminum: 21; Aluminum: 26.0"
Height Adjustable Plus Pivot Arms AER1B22AF, AER1B22AW	L: 15.5-19.7" S: 16.4- 20.8" H: 17.4- 22.8"	17"	20.25"	Neutral: 4°	96°	22.75"	9.1" 4.6-9.9"	4.6"	Range: 1.25" Sacral Height: 4.625" Lumbar Height: 8.875"	17"	Neutral Inside: 18.5" Neutral Outside: 26.5" Narrow Inside: 14.1" Wide Outside: 30.4"	L: 35.875- 40.125 S: 36.75- 41.125" H: 37.875-43.25"	93.5-104°	93.3/120.8°	-1/16°	7.5-11.5"		Nylon: 28.3"	Nylon: 26.8"	38.9 Aluminum: 21; Aluminum: 26.0"
Height Adjustable Arms AER1B22HF, AER1B22HW	L: 15.5-19.7" S: 16.4- 20.8" H: 17.4- 22.8"	17"	20.25"	Neutral: 4°	96°	22.75"	9.1" 4.6-9.9"	4.6"	Range: 1.25" Sacral Height: 4.625" Lumbar Height: 8.875"	17"	Neutral Inside: 18.5" Neutral Outside: 26.5" Narrow Inside: 14.1" Wide Outside: 30.4"	L: 35.875- 40.125 S: 36.75- 41.125" H: 37.875-43.25"	93.5-104°	93.3/120.8°	-1/16°	7.5-11.5"		Nylon: 28.3"	Nylon: 26.8"	38.9 Aluminum: 21; Aluminum: 26.0"
Fixed Arms AER1B22PF, AER1B22PW	L: 15.5-19.7" S: 16.4- 20.8" H: 17.4- 22.8"	17"	20.25"	Neutral: 4°	96°	22.75"	9.1" 4.6-9.9"	4.6"	Range: 1.25" Sacral Height: 4.625" Lumbar Height: 8.875"	17"	Neutral Inside: 18.5" Neutral Outside: 26.5" Narrow Inside: 14.1" Wide Outside: 30.4"	L: 35.875- 40.125 S: 36.75- 41.125" H: 37.875-43.25"	93.5-104°	93.3/120.8°	-1/16°	8.5"		Nylon: 28.3"	Nylon: 26.8"	38.9 Aluminum: 21; Aluminum: 26.0"
No Arms AER1B22NN	L: 15.5-19.7" S: 16.4- 20.8" H: 17.4- 22.8"	17"	20.25"	Neutral: 4°	96°	22.75"	9.1" 4.6-9.9"	4.6"	Range: 1.25" Sacral Height: 4.625" Lumbar Height: 8.875"	17"	Neutral Inside: 18.5" Neutral Outside: 26.5" Narrow Inside: 14.1" Wide Outside: 30.4"	L: 35.875- 40.125 S: 36.75- 41.125" H: 37.875-43.25"	93.5-104°	93.3/120.8°	-1/16°			Nylon: 28.3"	Nylon: 26.8"	34.2 Aluminum: 21; Aluminum: 26.0"
Work Chairs: Tilt Limiter - Size C																				
Fully Adjustable Arms AER1C22DF, AER1C22DW	S: 16.4- 20.8" H: 17.4- 22.8"	18.5"	21.6"	Neutral: 4°	96°	25.0"	9.6" 5.0-10.25"	5.0"	Range: 1.25" Sacral Height: 5" Lumbar Height: 9.25"	18.75"	Neutral Inside: 19.6" Neutral Outside: 27.6" Narrow Inside: 15.4" Wide Outside: 31.6"	L: 37.875-42.125 S: 38.75-43.125" H: 40.45.375"	93.5-104°	93.3/120.8°	-1/16°	7.5-11.5"	2.375"	Nylon: 28.3"	Nylon: 26.8"	42.2 Aluminum: 21; Aluminum: 26.0"
Height Adjustable Plus Pivot Arms AER1C22AF, AER1C22AW	S: 16.4- 20.8" H: 17.4- 22.8"	18.5"	21.6"	Neutral: 4°	96°	25.0"	9.6" 5.0-10.25"	5.0"	Range: 1.25" Sacral Height: 5" Lumbar Height: 9.25"	18.75"	Neutral Inside: 19.6" Neutral Outside: 27.6" Narrow Inside: 15.4" Wide Outside: 31.6"	L: 37.875-42.125 S: 38.75-43.125" H: 40.45.375"	93.5-104°	93.3/120.8°	-1/16°	7.5-11.5"		Nylon: 28.3"	Nylon: 26.8"	41.2 Aluminum: 21; Aluminum: 26.0"
Height Adjustable Arms AER1C22HF, AER1C22HW	S: 16.4- 20.8" H: 17.4- 22.8"	18.5"	21.6"	Neutral: 4°	96°	25.0"	9.6" 5.0-10.25"	5.0"	Range: 1.25" Sacral Height: 5" Lumbar Height: 9.25"	18.75"	Neutral Inside: 19.6" Neutral Outside: 27.6" Narrow Inside: 15.4" Wide Outside: 31.6"	L: 37.875-42.125 S: 38.75-43.125" H: 40.45.375"	93.5-104°	93.3/120.8°	-1/16°	7.5-11.5"		Nylon: 28.3"	Nylon: 26.8"	41.2 Aluminum: 21; Aluminum: 26.0"
Fixed Arms AER1C22PF, AER1C22PW	S: 16.4- 20.8" H: 17.4- 22.8"	18.5"	21.6"	Neutral: 4°	96°	25.0"	9.6" 5.0-10.25"	5.0"	Range: 1.25" Sacral Height: 5" Lumbar Height: 9.25"	18.75"	Neutral Inside: 19.6" Neutral Outside: 27.6" Narrow Inside: 15.4" Wide Outside: 31.6"	L: 37.875-42.125 S: 38.75-43.125" H: 40.45.375"	93.5-104°	93.3/120.8°	-1/16°	8.5"		Nylon: 28.3"	Nylon: 26.8"	41.2 Aluminum: 21; Aluminum: 26.0"
No Arms AER1C22NN	S: 16.4- 20.8" H: 17.4- 22.8"	18.5"	21.6"	Neutral: 4°	96°	25.0"	9.6" 5.0-10.25"	5.0"	Range: 1.25" Sacral Height: 5" Lumbar Height: 9.25"	18.75"	Neutral Inside: 19.6" Neutral Outside: 27.6" Narrow Inside: 15.4" Wide Outside: 31.6"	L: 37.875-42.125 S: 38.75-43.125" H: 40.45.375"	93.5-104°	93.3/120.8°	-1/16°			Nylon: 28.3"	Nylon: 26.8"	36.5 Aluminum: 21; Aluminum: 26.0"

- ¹ Stationary chair in neutral position
- ² Height to center of lumbar support region without lumbar pad, with lumbar pad in lowest position, and with lumbar pad in highest position measured from pivot point of the pad
- ³ Height from base of seat to the pivot point of the sacral pad
- ⁴ Inward adjustment/ height from base of seat to the pivot point of the sacral and lumbar pads
- ⁵ Neutral position of the seat angle for adjustable arms (height adjustable plus pivot, and fully adjustable arms can also pivot 16 degrees inward and 16 degrees outward)
- ⁶ Range of height while the chair is in the neutral position
- ⁷ Range for forward-to-reclined positions
- ⁸ Forward angle/neutral angle/ reclined angle
- ⁹ Armpad slide range is rearward of neutral position

Aeron Work Chairs Seating Measurements

Seat height and overall height shown with 2 1/2" caster

Chair Description	Seat Height	Seat Depth	Seat Width	Seat Pan Angle	Seat to Back Angle ¹	Backrest Height	Lumbar Support ²	PostureFit ³	PostureFit SL ⁴	Back Width	Armpads Inside/ Outside ⁵	Overall Height ⁶	Seat to Back Angle Range ⁷	Tilt Range Back ⁸	Tilt Range Seat	Armpad Height	Armpad Slide Range ⁹	Base Diameter (Outside)	Base Diameter (Centerline)	Weight (Pounds)
Work Chairs: Standard Tilt- Size A																				
Fully Adjustable Arms AER1A11DF, AER1A11DW	L: 15.1-19.3"	16"	19"	Neutral: 4°	96°	20.5"	7.9" 4.25-9.5"	4.3"	Range: 1.25" Sacral Height: 4.25" Lumbar Height: 8.5"	14.8"	Neutral Inside: 17.4" Neutral Outside: 25.4" Narrow Inside: 13.1" Wide Outside: 29.3"	L: 34.25-38.5"	93.5-104°	93.3/120.8° -1/16°	7.5-11.5"	2.375"		Nylon: 27" Aluminum: 27.5"	Nylon: 25.5" Aluminum: 26.0"	38.7
Height Adjustable Plus Pivot Arms AER1A11F, AER1A11AW	L: 15.1-19.3"	16"	19"	Neutral: 4°	96°	20.5"	7.9" 4.25-9.5"	4.3"	Range: 1.25" Sacral Height: 4.25" Lumbar Height: 8.5"	14.8"	Neutral Inside: 17.4" Neutral Outside: 25.4" Narrow Inside: 13.1" Wide Outside: 29.3"	L: 34.25-38.5"	93.5-104°	93.3/120.8° -1/16°	7.5-11.5"			Nylon: 27" Aluminum: 27.5"	Nylon: 25.5" Aluminum: 26.0"	37.7
Height Adjustable Arms AER1A11HF, AER1A11HW	L: 15.1-19.3"	16"	19"	Neutral: 4°	96°	20.5"	7.9" 4.25-9.5"	4.3"	Range: 1.25" Sacral Height: 4.25" Lumbar Height: 8.5"	14.8"	Neutral Inside: 17.4" Neutral Outside: 25.4"	L: 34.25-38.5"	93.5-104°	93.3/120.8° -1/16°	7.5-11.5"			Nylon: 27" Aluminum: 27.5"	Nylon: 25.5" Aluminum: 26.0"	37.7
Fixed Arms AER1A11PF, AER1A11PW	L: 15.1-19.3"	16"	19"	Neutral: 4°	96°	20.5"	7.9" 4.25-9.5"	4.3"	Range: 1.25" Sacral Height: 4.25" Lumbar Height: 8.5"	14.8"	Neutral Inside: 17.4" Neutral Outside: 25.4"	L: 34.25-38.5"	93.5-104°	93.3/120.8° -1/16°	8.5"			Nylon: 27" Aluminum: 27.5"	Nylon: 25.5" Aluminum: 26.0"	37.7
No Arms AER1A11NN	L: 15.1-19.3"	16"	19"	Neutral: 4°	96°	20.5"	7.9" 4.25-9.5"	4.3"	Range: 1.25" Sacral Height: 4.25" Lumbar Height: 8.5"	14.8"	Neutral Inside: 17.4" Neutral Outside: 25.4"	L: 34.25-38.5"	93.5-104°	93.3/120.8° -1/16°				Nylon: 27" Aluminum: 27.5"	Nylon: 25.5" Aluminum: 26.0"	33
Work Chairs: Standard Tilt- Size B																				
Fully Adjustable Arms AER1B21DF, AER1B21DW	L: 15.5-19.7" S: 16.4- 20.8" H: 17.4- 22.8"	17"	20.25"	Neutral: 4°	96°	22.75"	9.1" 4.6-9.9"	4.6"	Range: 1.25" Sacral Height: 4.625" Lumbar Height: 8.875"	17"	Neutral Inside: 18.5" Neutral Outside: 26.5" Narrow Inside: 14.1" Wide Outside: 30.4"	L: 35.875-40.125" S: 36.75- 41.125" H: 37.875-43.25"	93.5-104°	93.3/120.8° -1/16°	7.5-11.5"	2.375"		Nylon: 28.3" Aluminum: 27.5"	Nylon: 26.8" Aluminum: 26.0"	39.6
Height Adjustable Plus Pivot Arms AER1B21AF, AER1B21AW	L: 15.5-19.7" S: 16.4- 20.8" H: 17.4- 22.8"	17"	20.25"	Neutral: 4°	96°	22.75"	9.1" 4.6-9.9"	4.6"	Range: 1.25" Sacral Height: 4.625" Lumbar Height: 8.875"	17"	Neutral Inside: 18.5" Neutral Outside: 26.5" Narrow Inside: 14.1" Wide Outside: 30.4"	L: 35.875-40.125" S: 36.75- 41.125" H: 37.875-43.25"	93.5-104°	93.3/120.8° -1/16°	7.5-11.5"			Nylon: 28.3" Aluminum: 27.5"	Nylon: 26.8" Aluminum: 26.0"	38.6
Height Adjustable Arms AER1B21HF, AER1B21HW	L: 15.5-19.7" S: 16.4- 20.8" H: 17.4- 22.8"	17"	20.25"	Neutral: 4°	96°	22.75"	9.1" 4.6-9.9"	4.6"	Range: 1.25" Sacral Height: 4.625" Lumbar Height: 8.875"	17"	Neutral Inside: 18.5" Neutral Outside: 26.5" Narrow Inside: 14.1" Wide Outside: 30.4"	L: 35.875-40.125" S: 36.75- 41.125" H: 37.875-43.25"	93.5-104°	93.3/120.8° -1/16°	7.5-11.5"			Nylon: 28.3" Aluminum: 27.5"	Nylon: 26.8" Aluminum: 26.0"	38.6
Fixed Arms AER1B21PF, AER1B21PW	L: 15.5-19.7" S: 16.4- 20.8" H: 17.4- 22.8"	17"	20.25"	Neutral: 4°	96°	22.75"	9.1" 4.6-9.9"	4.6"	Range: 1.25" Sacral Height: 4.625" Lumbar Height: 8.875"	17"	Neutral Inside: 18.5" Neutral Outside: 26.5" Narrow Inside: 14.1" Wide Outside: 30.4"	L: 35.875-40.125" S: 36.75- 41.125" H: 37.875-43.25"	93.5-104°	93.3/120.8° -1/16°	8.5"			Nylon: 28.3" Aluminum: 27.5"	Nylon: 26.8" Aluminum: 26.0"	38.6
No Arms AER1B21NN	L: 15.5-19.7" S: 16.4- 20.8" H: 17.4- 22.8"	17"	20.25"	Neutral: 4°	96°	22.75"	9.1" 4.6-9.9"	4.6"	Range: 1.25" Sacral Height: 4.625" Lumbar Height: 8.875"	17"	Neutral Inside: 18.5" Neutral Outside: 26.5" Narrow Inside: 14.1" Wide Outside: 30.4"	L: 35.875-40.125" S: 36.75- 41.125" H: 37.875-43.25"	93.5-104°	93.3/120.8° -1/16°				Nylon: 28.3" Aluminum: 27.5"	Nylon: 26.8" Aluminum: 26.0"	33.9
Work Chairs: Standard Tilt- Size C																				
Fully Adjustable Arms AER1C21DF, AER1C21DW	S: 16.4- 20.8" H: 17.4- 22.8"	18.5"	21.6"	Neutral: 4°	96°	25.0"	9.6" 5.0-10.25"	5.0"	Range: 1.25" Sacral Height: 5" Lumbar Height: 9.25"	18.75"	Neutral Inside: 19.6" Neutral Outside: 27.6" Narrow Inside: 15.4" Wide Outside: 31.6"	L: 37.875-42.125" S: 38.75-43.125" H: 40-45.375"	93.5-104°	93.3/120.8° -1/16°	7.5-11.5"	2.375"		Nylon: 28.3" Aluminum: 27.5"	Nylon: 26.8" Aluminum: 26.0"	41.9
Height Adjustable Plus Pivot Arms AER1C21AF, AER1C21AW	S: 16.4- 20.8" H: 17.4- 22.8"	18.5"	21.6"	Neutral: 4°	96°	25.0"	9.6" 5.0-10.25"	5.0"	Range: 1.25" Sacral Height: 5" Lumbar Height: 9.25"	18.75"	Neutral Inside: 19.6" Neutral Outside: 27.6" Narrow Inside: 15.4" Wide Outside: 31.6"	L: 37.875-42.125" S: 38.75-43.125" H: 40-45.375"	93.5-104°	93.3/120.8° -1/16°	7.5-11.5"			Nylon: 28.3" Aluminum: 27.5"	Nylon: 26.8" Aluminum: 26.0"	40.9
Height Adjustable Arms AER1C21HF, AER1C21HW	S: 16.4- 20.8" H: 17.4- 22.8"	18.5"	21.6"	Neutral: 4°	96°	25.0"	9.6" 5.0-10.25"	5.0"	Range: 1.25" Sacral Height: 5" Lumbar Height: 9.25"	18.75"	Neutral Inside: 19.6" Neutral Outside: 27.6" Narrow Inside: 15.4" Wide Outside: 31.6"	L: 37.875-42.125" S: 38.75-43.125" H: 40-45.375"	93.5-104°	93.3/120.8° -1/16°	7.5-11.5"			Nylon: 28.3" Aluminum: 27.5"	Nylon: 26.8" Aluminum: 26.0"	40.9
Fixed Arms AER1C21PF, AER1C21PW	S: 16.4- 20.8" H: 17.4- 22.8"	18.5"	21.6"	Neutral: 4°	96°	25.0"	9.6" 5.0-10.25"	5.0"	Range: 1.25" Sacral Height: 5" Lumbar Height: 9.25"	18.75"	Neutral Inside: 19.6" Neutral Outside: 27.6" Narrow Inside: 15.4" Wide Outside: 31.6"	L: 37.875-42.125" S: 38.75-43.125" H: 40-45.375"	93.5-104°	93.3/120.8° -1/16°	8.5"			Nylon: 28.3" Aluminum: 27.5"	Nylon: 26.8" Aluminum: 26.0"	40.9
No Arms AER1C21NN	S: 16.4- 20.8" H: 17.4- 22.8"	18.5"	21.6"	Neutral: 4°	96°	25.0"	9.6" 5.0-10.25"	5.0"	Range: 1.25" Sacral Height: 5" Lumbar Height: 9.25"	18.75"	Neutral Inside: 19.6" Neutral Outside: 27.6" Narrow Inside: 15.4" Wide Outside: 31.6"	L: 37.875-42.125" S: 38.75-43.125" H: 40-45.375"	93.5-104°	93.3/120.8° -1/16°				Nylon: 28.3" Aluminum: 27.5"	Nylon: 26.8" Aluminum: 26.0"	36.2

- ¹ Stationary chair in neutral position
- ² Height to center of lumbar support region without lumbar pad, with lumbar pad in lowest position, and with lumbar pad in highest position measured from pivot point of the pad
- ³ Height from base of seat to the pivot point of the sacral pad
- ⁴ Inward adjustment/ height from base of seat to the pivot point of the sacral and lumbar pads
- ⁵ Neutral position of the seat angle for adjustable arms (height adjustable plus pivot, and fully adjustable arms can also pivot 16 degrees inward and 16 degrees outward)
- ⁶ Range of height while the chair is in the neutral position
- ⁷ Range for forward-to-reclined positions
- ⁸ Forward angle/neutral angle/ reclined angle
- ⁹ Armpad slide range is rearward of neutral position

Aeron Work Stools Seating Measurements

Seat height and overall height shown with 2 1/2" caster

Stool Description	Seat Height	Seat Depth	Seat Width	Seat Pan Angle	Seat to Back Angle ¹	Footring Adjustment		Lumbar Support ²	PostureFit ³	PostureFit SL ⁴	Back Width	Armpads Inside/ Outside ⁵	Overall Height ⁶	Seat to Back			Armpad Height	Armpad Slide Range ⁹	Base Diameter (Outside)	Base Diameter (Centerline)	Weight (Pounds)
						Height	Backrest Height							Angle ⁷	Tilt Range ⁸ Back	Tilt Range ⁸ Seat					
Work Stool: Tilt Limiter and Seat Angle																					
Fully Adjustable Arms AER713D, AER723D	L: 24.15- 29.25" 17" H: 27.4-34.25"	20.25"	20.25"	Neutral: 4° Forward: -1°	96°	L: 14.87- 17.5" 22.75" H: 15- 20.75"	9.1"	4.6"	Range: 1.25" Sacral Height: 4.625" Lumbar Height: 8.875"	17"	Neutral Inside: 18.5" Neutral Outside: 26.5" Narrow Inside: 14.1" Wide Outside: 30.4"	L: 45.7-50.08" H: 48.95-53.33"	93.5-104°	93.3/114.8°	-1/12.9°	7.5-11.5"	2.375"	Nylon: 28.3" Aluminum: 27.5"	Nylon: 26.8" Aluminum: 26.0"	53.6	
Height Adjustable Plus Pivot Arms AER713A, AER723A	L: 24.15- 29.25" 17" H: 27.4-34.25"	20.25"	20.25"	Neutral: 4° Forward: -1°	96°	L: 14.87- 17.5" 22.75" H: 15- 20.75"	9.1"	4.6"	Range: 1.25" Sacral Height: 4.625" Lumbar Height: 8.875"	17"	Neutral Inside: 18.5" Neutral Outside: 26.5" Narrow Inside: 14.1" Wide Outside: 30.4"	L: 45.7-50.08" H: 48.95-53.33"	93.5-104°	93.3/114.8°	-1/12.9°	7.5-11.5"		Nylon: 28.3" Aluminum: 27.5"	Nylon: 26.8" Aluminum: 26.0"	52.6	
Height Adjustable Arms AER713H, AER723H	L: 24.15- 29.25" 17" H: 27.4-34.25"	20.25"	20.25"	Neutral: 4° Forward: -1°	96°	L: 14.87- 17.5" 22.75" H: 15- 20.75"	9.1"	4.6"	Range: 1.25" Sacral Height: 4.625" Lumbar Height: 8.875"	17"	Neutral Inside: 18.5" Neutral Outside: 26.5" Narrow Inside: 14.1" Wide Outside: 30.4"	L: 45.7-50.08" H: 48.95-53.33"	93.5-104°	93.3/114.8°	-1/12.9°	7.5-11.5"		Nylon: 28.3" Aluminum: 27.5"	Nylon: 26.8" Aluminum: 26.0"	52.6	
Fixed Arms AER713P, AER723P	L: 24.15- 29.25" 17" H: 27.4-34.25"	20.25"	20.25"	Neutral: 4° Forward: -1°	96°	L: 14.87- 17.5" 22.75" H: 15- 20.75"	9.1"	4.6"	Range: 1.25" Sacral Height: 4.625" Lumbar Height: 8.875"	17"	Neutral Inside: 18.5" Neutral Outside: 26.5" Narrow Inside: 14.1" Wide Outside: 30.4"	L: 45.7-50.08" H: 48.95-53.33"	93.5-104°	93.3/114.8°	-1/12.9°	8.5"		Nylon: 28.3" Aluminum: 27.5"	Nylon: 26.8" Aluminum: 26.0"	52.6	
No Arms AER713N, AER723N	L: 24.15- 29.25" 17" H: 27.4-34.25"	20.25"	20.25"	Neutral: 4° Forward: -1°	96°	L: 14.87- 17.5" 22.75" H: 15- 20.75"	9.1"	4.6"	Range: 1.25" Sacral Height: 4.625" Lumbar Height: 8.875"	17"	Neutral Inside: 18.5" Neutral Outside: 26.5" Narrow Inside: 14.1" Wide Outside: 30.4"	L: 45.7-50.08" H: 48.95-53.33"	93.5-104°	93.3/114.8°	-1/12.9°			Nylon: 28.3" Aluminum: 27.5"	Nylon: 26.8" Aluminum: 26.0"	47.9	

¹ Stationary chair in neutral position

² Height to center of lumbar support region without lumbar pad, with lumbar pad in lowest position, and with lumbar pad in highest position measured from pivot point of the pad ³ height from base of seat to the pivot point of the sacral pad

⁴ Inward adjustment/ height from base of seat to the pivot point of the sacral and lumbar pads

⁵ Neutral position of the seat angle for adjustable arms (height adjustable plus pivot, and fully adjustable arms can also pivot 16 degrees inward and 16 degrees outward)

⁶ Range of height while the chair is in the neutral position

⁷ Range for forward-to-reclined positions

⁸ Forward angle/neutral angle/ reclined angle

⁹ Armpad slide range is rearward of neutral position

Aeron Work Stools Seating Measurements

Seat height and overall height shown with 2 1/2" caster

Stool Description	Seat Height	Seat Depth	Seat Width	Seat Pan Angle	Seat to Back Angle ¹	Footring Adjustment Height	Backrest Height	Lumbar Support ²	PostureFit ³	PostureFit SL ⁴	Back Width	Armpads Inside/ Outside	Overall Height ⁶	Angle Range ⁷	Back ⁸	Seat	Armpad		Base Diameter (Outside)	Base Diameter (Centerline)	Weight (Pounds)
																	Slide	Range ⁹			
Work Stool: Tilt Limiter																					
Fully Adjustable Arms AER712D, AER722D	L: 24.75- 29.25"17" H: 28-34.25"	20.25"		Neutral: 4°	96°	L: 14.87- 17.5" H: 15- 20.75"	22.75"	9.1" 4.6-9.9"	4.6"	Range: 1.25" Sacral Height: 4.625" Lumbar Height: 8.875"	17"	Neutral Inside: 18.5" Neutral Outside: 26.5" Narrow Inside: 14.1" Wide Outside: 30.4"	L: 45.7-50.08" H: 48.95-53.33"	93.5-104°	100.6/114.8°	4/12.9°7.5-11.5"	2.375"	Nylon: 28.3" Aluminum: 27.5"	Nylon: 26.8" Aluminum: 26.0"	53.5	
Height Adjustable Plus Pivot Arms AER712A, AER722A	L: 24.75- 29.25"17" H: 28-34.25"	20.25"		Neutral: 4°	96°	L: 14.87- 17.5" H: 15- 20.75"	22.75"	9.1" 4.6-9.9"	4.6"	Range: 1.25" Sacral Height: 4.625" Lumbar Height: 8.875"	17"	Neutral Inside: 18.5" Neutral Outside: 26.5" Narrow Inside: 14.1" Wide Outside: 30.4"	L: 45.7-50.08" H: 48.95-53.33"	93.5-104°	100.6/114.8°	4/12.9°7.5-11.5"		Nylon: 28.3" Aluminum: 27.5"	Nylon: 26.8" Aluminum: 26.0"	52.5	
Height Adjustable Arms AER712H, AER722H	L: 24.75- 29.25"17" H: 28-34.25"	20.25"		Neutral: 4°	96°	L: 14.87- 17.5" H: 15- 20.75"	22.75"	9.1" 4.6-9.9"	4.6"	Range: 1.25" Sacral Height: 4.625" Lumbar Height: 8.875"	17"	Neutral Inside: 18.5" Neutral Outside: 26.5" Narrow Inside: 14.1" Wide Outside: 30.4"	L: 45.7-50.08" H: 48.95-53.33"	93.5-104°	100.6/114.8°	4/12.9°7.5-11.5"		Nylon: 28.3" Aluminum: 27.5"	Nylon: 26.8" Aluminum: 26.0"	52.5	
Fixed Arms AER712P, AER722P	L: 24.75- 29.25"17" H: 28-34.25"	20.25"		Neutral: 4°	96°	L: 14.87- 17.5" H: 15- 20.75"	22.75"	9.1" 4.6-9.9"	4.6"	Range: 1.25" Sacral Height: 4.625" Lumbar Height: 8.875"	17"	Neutral Inside: 18.5" Neutral Outside: 26.5" Narrow Inside: 14.1" Wide Outside: 30.4"	L: 45.7-50.08" H: 48.95-53.33"	93.5-104°	100.6/114.8°	4/12.9°8.5"		Nylon: 28.3" Aluminum: 27.5"	Nylon: 26.8" Aluminum: 26.0"	52.5	
No Arms AER712N, AER722N	L: 24.75- 29.25"17" H: 28-34.25"	20.25"		Neutral: 4°	96°	L: 14.87- 17.5" H: 15- 20.75"	22.75"	9.1" 4.6-9.9"	4.6"	Range: 1.25" Sacral Height: 4.625" Lumbar Height: 8.875"	17"	Neutral Inside: 18.5" Neutral Outside: 26.5" Narrow Inside: 14.1" Wide Outside: 30.4"	L: 45.7-50.08" H: 48.95-53.33"	93.5-104°	100.6/114.8°	4/12.9°		Nylon: 28.3" Aluminum: 27.5"	Nylon: 26.8" Aluminum: 26.0"	47.8	

- ¹ Stationary chair in neutral position
- ² Height to center of lumbar support region without lumbar pad, with lumbar pad in lowest position, and with lumbar pad in highest position measured from pivot point of the pad
- ³ Height from base of seat to the pivot point of the sacral pad
- ⁴ Inward adjustment/ height from base of seat to the pivot point of the sacral and lumbar pads
- ⁵ Neutral position of the seat angle for adjustable arms (height adjustable plus pivot, and fully adjustable arms can also pivot 16 degrees inward and 16 degrees outward)
- ⁶ Range of height while the chair is in the neutral position
- ⁷ Range for forward-to-reclined positions
- ⁸ Forward angle/neutral angle/ reclined angle
- ⁹ Armpad slide range is rearward of neutral position

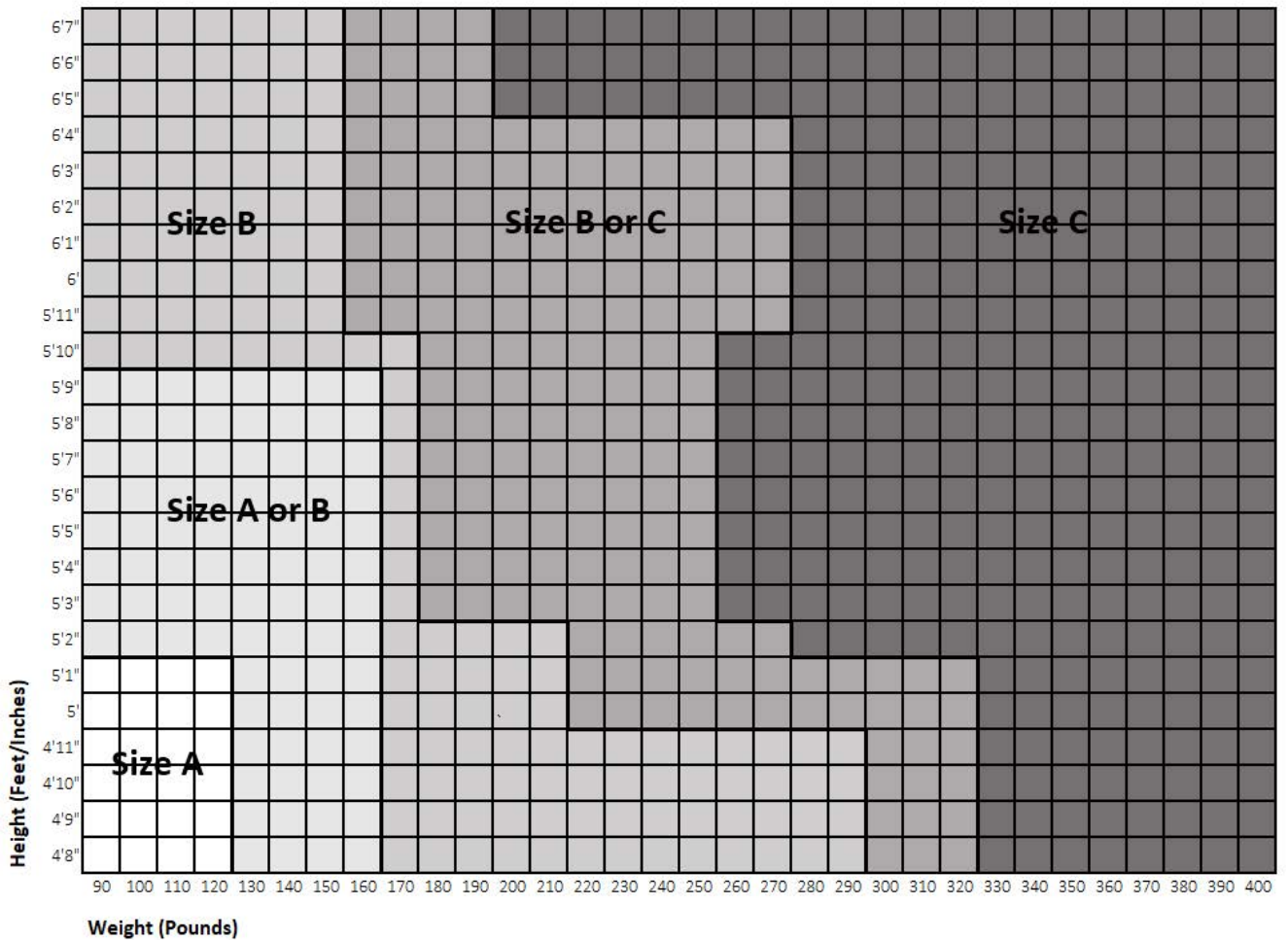
Aeron Work Stools Seating Measurements

Seat height and overall height shown with 2 1/2" caster

Stool Description	Seat Height	Seat Depth	Seat Width	Seat Pan Angle	Seat to Back Angle ¹	Footring Adjustment Height	Backrest Height	Lumbar Support ²	PostureFit ³	Posturefit SL ⁴	Back Width	Armpads Inside/ Outside ⁵	Overall Height ⁶	Seat to Back Angle ⁷	Tilt Range Back ⁸	Tilt Range Seat	Armpad Height	Armpad Slide Range ⁹	Base Diameter (Outside)	Base Diameter (Centerline)	Weight (Pounds)
Work Stool: Standard Tilt																					
Fully Adjustable Arms AER711D, AER721D	L: 24.75- 29.25" H: 28-34.25"	17"	20.25"	Neutral: 4°	96°	L: 14.87- 17.5" H: 15- 20.75"	22.75"	9.1"	4.6"	Range: 1.25" Sacral Height: 4.625" Lumbar Height: 8.875"	17"	Neutral Inside: 18.5" Neutral Outside: 26.5" Narrow Inside: 14.1" Wide Outside: 30.4"	L: 45.7-50.08" H: 48.95-53.33"	93.5-104°	93.3/120.8°	-1/16°	7.5-11.5"	2.375"	Nylon: 28.3" Aluminum: 27.5"	Nylon: 26.8" Aluminum: 26.0"	53.3
Height Adjustable Plus Pivot Arms AER711A, AER721A	L: 24.75- 29.25" H: 28-34.25"	17"	20.25"	Neutral: 4°	96°	L: 14.87- 17.5" H: 15- 20.75"	22.75"	9.1"	4.6"	Range: 1.25" Sacral Height: 4.625" Lumbar Height: 8.875"	17"	Neutral Inside: 18.5" Neutral Outside: 26.5" Narrow Inside: 14.1" Wide Outside: 30.4"	L: 45.7-50.08" H: 48.95-53.33"	93.5-104°	93.3/120.8°	-1/16°	7.5-11.5"		Nylon: 28.3" Aluminum: 27.5"	Nylon: 26.8" Aluminum: 26.0"	52.2
Height Adjustable Arms AER711H, AER721H	L: 24.75- 29.25" H: 28-34.25"	17"	20.25"	Neutral: 4°	96°	L: 14.87- 17.5" H: 15- 20.75"	22.75"	9.1"	4.6"	Range: 1.25" Sacral Height: 4.625" Lumbar Height: 8.875"	17"	Neutral Inside: 18.5" Neutral Outside: 26.5"	L: 45.7-50.08" H: 48.95-53.33"	93.5-104°	93.3/120.8°	-1/16°	7.5-11.5"		Nylon: 28.3" Aluminum: 27.5"	Nylon: 26.8" Aluminum: 26.0"	52.2
Fixed Arms AER711P, AER721P	L: 24.75- 29.25" H: 28-34.25"	17"	20.25"	Neutral: 4°	96°	L: 14.87- 17.5" H: 15- 20.75"	22.75"	9.1"	4.6"	Range: 1.25" Sacral Height: 4.625" Lumbar Height: 8.875"	17"	Neutral Inside: 18.5" Neutral Outside: 25.4"	L: 45.7-50.08" H: 48.95-53.33"	93.5-104°	93.3/120.8°	-1/16°	8.5"		Nylon: 28.3" Aluminum: 27.5"	Nylon: 26.8" Aluminum: 26.0"	52.2
No Arms AER711N, AER721N	L: 24.75- 29.25" H: 28-34.25"	17"	20.25"	Neutral: 4°	96°	L: 14.87- 17.5" H: 15- 20.75"	22.75"	9.1"	4.6"	Range: 1.25" Sacral Height: 4.625" Lumbar Height: 8.875"	17"	Neutral Inside: 18.5" Neutral Outside: 26.5"	L: 45.7-50.08" H: 48.95-53.33"						Nylon: 28.3" Aluminum: 27.5"	Nylon: 26.8" Aluminum: 26.0"	47.6

This reference helps people select A-, B-, or C-size chairs when the three sizes are not available for actual test sitting. Height and weight are key indicators of suitable chair-size choice. Since the B-size chair is designed to fit a broad range of people, Herman Miller recommends it for users who fall in the A/B or B/C category.

To determine which chair size is best, find the point of intersection for your height and weight.



Description **AER11 (Standard Tilt)**
 AER12 (Tilt Limiter)
 AER13 (Tilt Limiter and Seat Angle)

This chair has 3 sizes and a zoned Pellicle® material that conforms to the user's body and retains its original shape when unoccupied. Zones in the seat and back relieve pressure points. The material is lightweight and breathable and distributes the user's weight over the seat and back of the chair. The chair has pneumatic height- adjustment and a tilt that lets the body naturally pivot at the ankles, knees, and hips.

Tilt options include a tilt limiter that allows the user to set the tilt range to limit the amount of recline; a tilt limiter and seat angle that allows the user to limit the recline and select a horizontal or 5° forward seat angle; or a standard tilt.

Back-support options include PostureFit® support, adjustable PostureFit SL and an adjustable lumbar support. The PostureFit support provides support in the lower back area, below the beltline, that helps achieve healthier posture and improved lower back comfort. The PostureFit SL provides a custom fit in the lower back and lumbar region through direct spinal support. The user can adjust the level of support with a knob.

Arm choices include a fixed, nonadjustable option; a height-adjustable option that moves the arms 4" vertically; a height-adjustable option that moves the arms 4" vertically and pivots the armpads 16° outward and 16° inward; and a fully adjustable option that moves the arms 4" vertically, pivots the armpads 16° outward and 16° inward and slides the armpads 2.5" rearward.

The ZB, frame finish include a frame appliqué. These appliqués are applied to an Aeron work chair's seat, back, and arms to minimize the effect of contact between the chair and a wood-edge surface. The appliqué is available on A-, B- and C-size work chairs.

The frame applique options (ZB) do not meet CAL 133 requirements. A fire retardant chair meets CAL 133 requirements. The chair's Pellicle carrier material is manufactured with a fire-retardant additive.

Construction **Seat and Back**

The separate seat and back shall be a durable, breathable Pellicle material stretched within a carrier ring and fitted into an outer frame. The Pellicle material shall be a woven blend of colored polyester yarn with Hytrel elastomeric polyester of various stiffness, which is a high- performance polymer. It shall support and distribute the user's weight through zonal stretching including more support in the front zone and reduced support around the IT's. The back has a high tension upper zone and lumbar zone with reduced pressure in the PSIS region and the scapula, and shall retain its original shape when the chair is unoccupied.

The carrier ring shall be a glass-filled elastomeric copolymer molded around the perimeter of the Pellicle material to frame and support it. The outer frame shall be injection-molded, glass-filled nylon. The ring and frame shall be secured together with screws. The back of the outer frame shall have molded-in rails to accept the optional PostureFit, PostureFit SL and lumbar pad.

Work Chair

Right and left swing arms shall attach the seat and back to the tilt mechanism, support the arms, and provide an attachment location for the height control. The swing arms shall be die-cast aluminum with either a polished, smooth or wrinkle-coat powder-coat epoxy finish. The swing arms shall attach with 2 screws to each side of the back frame and with ball joints to the seat.

The cable cover shall be injection-molded, glass-filled nylon and shall be screw snapped into the inside of the swing arms.

The seat shall have a central link to control the seat angle. The link shall be glass-filled nylon. The links shall attach with shoulder screws, nuts and bushings to the seat and snap fit pins and bushings into the tilt housing.

Back Support (Optional)

There are 3 back-support options available: the PostureFit support, adjustable PostureFit SL and adjustable lumbar pad.

PostureFit (Optional)

The PostureFit support shall have a glass-filled polypropylene “wishbone” frame, a 5 3/4”-high by 3 5/8”-wide pad of rigid ABS plastic and polyurethane foam.

PostureFit SL (Optional)

The PostureFit SL support shall have a glass-filled polypropylene “wishbone” frame and cover, a 4 1/2”-high by 3 3/8”-wide sacral pad and 4 7/8” high by 4 1/8” wide lumbar pad of rigid ABS plastic and polyurethane foam. The sacral and lumbar pads are snap fit to an impact modified nylon stem. The operating mechanism is a nylon knob with TPE overmold with integral bevel gear, driving a bevel gear and conical work gear set made of acetal. The worm gear drives a flexible nylon strap via integral rack teeth. The flexible strap attaches to the back frame with carbon steel screws. The stem snaps to the flexible rack and interfaces with the body of the wishbone cover through a spring loaded plunger made of acetal.

Lumbar Pad (Optional)

The lumbar pad shall be a nylon bow with integral attachment clip features on each side. A flexible Hytrel strap shall be stretched across the width of the lumbar bow, connecting with a hook and loop. A 5 1/2” high by 4 1/4” wide support pad made of nylon snaps to the center of the strap with 4 snaps.

Arms (Optional)

The work chair shall be available with no arms, fixed arms, height-adjustable arms, height-adjustable with pivot arms, or fully adjustable arms. Each arm shall have a yoke of die-cast aluminum with either a polished, smooth or wrinkle-coat powder-coat epoxy finish. The fixed and height adjustable arms shall have a glass filled nylon arm support and is attached to the yoke with two carbon steel screws. The height adjustable arm with pivot shall have a glass filled nylon arm support. An acetal detent insert snap fits into the pivot only support and is attached to the yoke with a stainless steel pivot spring and two carbon steel screws. The fully adjustable arm has a carbon steel support plate that slides between an acetal detent plate and acetal pivot block. A high strength low alloy steel spring bracket connects the support plate and detent plate to the pivot block with a set of hooks and snap fit features. The pivot block is attached to the yoke with a stainless steel pivot spring and two carbon steel screws. The yokes shall attach with screws to slots in the swing arms, at the right and left sides of the chair back. The yoke of a height-adjustable arm or of a fully adjustable arm shall ride up and down in the slot, its position controlled by an injection-molded acetal lever connected to a carbon steel bolt. The bolt connects a series of flat steel leaf springs, acetal slide bearing and stainless steel lock plate. A stainless steel bearing strip is added to swing arms with height adjustment.

*Construction
continued*

See "Adjustments" for adjustable-arm ranges. Chairs with fixed arms shall have polypropylene fillers in the swing arm slot above and below the yoke. The seat-to-arm height for A-size fixed-arm chairs will be 7.8"; for B- and C-size chairs, 8 1/2". Fixed and adjustable arms can be added or removed on site. Fillers of polypropylene cover the slots in the swing arms when arms are removed.

Chairs shall have 11 1/2"-by-4" armpads that shall be foamed in place to a nylon armpad insert on the armpad support. Standard nonupholstered armpads shall be self-skinning urethane foam molded over a nylon insert. Optional upholstered armpads shall be polyurethane foam covered with leather. See the "Fabrics Fire Retardancy" section for leather and Customer's Own Leather (COL). Refer to the current Herman Miller price book for exact yardage and additional information. Armpads can be replaced on-site. (See Service Parts in Kiosk.)

Tilt

The tilt mechanism shall contain 2 fiberglass leaf springs, a nylon gear-driven tension adjustment and a die-cast aluminum front and rear housing with either a polished, smooth or wrinkle-coat powder-coat epoxy finish. A 3-piece ABS cover shall snap together to enclose the mechanism.

The tilt limiter lever and the seat angle adjustment lever extend from the left side of the tilt mechanism. The tilt limiter shall be glass-filled nylon with a soft TPE overmolded grip region. The seat angle lever shall be a glass-filled nylon insert with a soft TPE grip overmolded to a carbon steel hex shaft.

The tilt tension knob extends from the right side of the tilt mechanism. The knob shall be a steel hex shaft with an overmolded glass-filled polypropylene insert and a soft TPE overmolded knob. A glass-filled polypropylene sleeve covers the shaft

Base

The chair base shall house a unitized pneumatic seat height adjustment mechanism contained in 2 steel tubes; an inner tube shall slide and rotate in an acetal bushing within an outer tube. The outer tube shall be coated black and shall have a tapered end that will be pressed into the base and an upper end that shall be pressed into the tilt mechanism.

See "Adjustments" for seat-height ranges.

Pneumatic cylinders can be replaced on site. (See Service Parts in Kiosk.)

The 5-star base shall be either die-cast aluminum, with either a polished, smooth, or wrinkle-coat powder-coat epoxy finish or a glass-filled nylon material. The chair shall swivel 360°.

Chairs shall be furnished with interchangeable casters. See the "Casters and Glides" section for additional information.

Adjustments PostureFitSL(Optional)

The optional PostureFit support shall have 1" of inward adjustment that shall be user controlled with an adjustment knob.

Lumbar Pad (Optional)

The optional lumbar pad shall grip the rails in the back frame to allow the user to slide it up and down within a 4 1/2" range. See the "Seating Measurements" chart for pad dimensions.

Seat Height

Seat height shall be controlled by a glass-filled nylon lever and paddle mounted on the right swing arm.

The approximate seat height range shall be 14 3/8" to 19 1/4" for low height A-size chairs and 15 3/4" to 20 7/8" for B- and C-size chairs. See the "Seating Measurements" chart for a comparison of seat height ranges.

Tilt

The tilt shall allow the user's body to pivot at the ankles, knees, and hips. The back-to-seat tilt ratio shall be 2° to 1° when the chair is reclined from a neutral angle. A chair with a standard tilt (AER11) or with a tilt limiter (AER12) shall have a nominal 18° body-weight-controlled back recline. A chair with a tilt limiter and a seat angle adjustment (AER13) shall have a nominal 27° recline.

The chairs with a tilt limiter shall have 4 incremental adjustments to allow the user to limit the amount of back recline within a nominal range of 27°. The seat angle adjustment shall let the user select a +4° horizontal or -1° forward seat angle.

Height-Adjustable Arms (Optional)

The height-adjustable arms shall have a lever to enable the user to adjust arm height. The arm height adjustment range shall be approximately 4", and adjustments can be made to any height within the range.

Height-Adjustable with Pivot Arms (Optional)

The height-adjustable arms shall have a lever to enable the user to adjust arm height. The arm height adjustment range shall be approximately 4", and adjustments can be made to any height within the range. The arm support has detents to allow the arm support to pivot to 9 different positions. The arm shall be adjustable to 16° outward and 16° inward by applying pressure to the side of the arm.

Fully Adjustable Arms (Optional)

The fully adjustable arms shall have a lever to enable the user to adjust arm height. The arm height adjustment range shall be approximately 4", and adjustments can be made to any height within the range.

The fully adjustable arms support to pivot to 9 different positions and slide fore-aft to 10 positions. The arm shall be adjustable to 16° outward and 16° inward by applying pressure to the side of the arm. The arm shall slide fore-aft 2.5"

Performance The chair shall be rated to support a maximum of 350 pounds.

Data

The 3 chair sizes—size A, size B, and size C—shall fit a broad range of people. See the “Size and Fit Reference” chart for chair-size recommendations based on the user’s height and weight. The 3 chair sizes shall also have dimensional differences; see the “Seating Measurements” chart for chair dimensions.

Description	AER711 (Low Stool, Standard Tilt) AER712 (Low Stool, Tilt Limiter) AER713 (Low Stool, Tilt Limiter and Seat Angle) AER721 (High Stool, Standard Tilt) AER722 (High Stool, Tilt Limiter) AER723 (High Stool, Tilt Limiter and Seat Angle)
--------------------	---------------------------------------------------------------------------------------------------------------------------------------------------------------------------------------------------------------------------------------------------------------------------------------------------

This work stool has a footring mechanism that allows the user to adjust the height of the footring together with the seat. It has a 5-star base, pneumatic seat-height adjustment, and 2 height options. The low stool has a seat-height range of 24 3/4" to 29 1/4" with an adjustment range of 2 3/4" (from 14 7/8" to 17 1/2" from the seat). The high stool has a seat-height range of 28" to 34 1/4" with an adjustment range of 5 3/4" (from 15" to 20 3/4" from the seat).

This chair has a zoned Pellicle® material that conforms to the user's body and retains its original shape when unoccupied. Zones in the seat and back relieve pressure points. The material is lightweight and breathable and distributes the user's weight over the seat and back of the chair. The chair has pneumatic height- adjustment and a tilt that lets the body naturally pivot at the ankles, knees, and hips.

Tilt options include a tilt limiter that allows the user to set the tilt range to limit the amount of recline; a tilt limiter and seat angle that allows the user to limit the recline and select a horizontal or 5° forward seat angle; or a standard tilt.

Back-support options include PostureFit® support, adjustable PostureFit SL and an adjustable lumbar support. The PostureFit support provides support in the lower back area, below the beltline, that helps achieve healthier posture and improved lower back comfort. The PostureFit SL provides a custom fit in the lower back and lumbar region through direct spinal support. The user can adjust the level of support with a knob.

Arm choices include a fixed, nonadjustable option; a height-adjustable option that moves the arms 4" vertically; a height-adjustable option that moves the arms 4" vertically and pivots the armpads 16° outward and 16° inward; and a fully adjustable option that moves the arms 4" vertically, pivots the armpads 16° outward and 16° inward and slides the armpads 2.5" rearward.

The ZB, frame finish include a frame appliqué. These appliqués are applied to an Aeron work chair's seat, back, and arms to minimize the effect of contact between the chair and a wood-edge surface.

The frame applique options (ZB) do not meet CAL 133 requirements. A fire retardant chair meets CAL 133 requirements. The chair's Pellicle carrier material is manufactured with a fire-retardant additive.

Work stools are tested and warranted for use by persons 350 pounds and under.

Construction **Seat and Back**

The separate seat and back shall be a durable, breathable Pellicle material stretched within a carrier ring and fitted into an outer frame. The Pellicle material shall be a woven blend of colored

Work Stool

polyester yarn with Hytrel elastomeric polyester of various stiffness, which is a high-performance polymer. It shall support and distribute the user's weight through zonal stretching including more support in the front zone and reduced support around the IT's. The back has a high tension upper zone and lumbar zone with reduced pressure in the PSIS region and the

scapula, and shall retain its original shape when the chair is unoccupied.

The carrier ring shall be a glass-filled elastomeric copolymer molded around the perimeter of the Pellicle material to frame and support it. The outer frame shall be injection-molded, glass-filled nylon. The ring and frame shall be secured together with screws. The back of the outer frame shall have molded-in rails to accept the optional PostureFit, PostureFit SL and lumbar pad.

Right and left swing arms shall attach the seat and back to the tilt mechanism, support the arms, and provide an attachment location for the height control. The swing arms shall be die-cast aluminum with either a polished, smooth or wrinkle-coat powder-coat epoxy finish. The swing arms shall attach with 2 screws to each side of the back frame and with ball joints to the seat. The cable cover shall be injection-molded, glass-filled nylon and shall be screw snapped into the inside of the swing arms.

The seat shall have a central link to control the seat angle. The link shall be glass-filled nylon. The links shall attach with shoulder screws, nuts and bushings to the seat and snap fit pins and bushings into the tilt housing.

Back Support (Optional)

There are 3 back-support options available: the PostureFit support, adjustable PostureFit SL and adjustable lumbar pad.

PostureFit (Optional)

The PostureFit support shall have a glass-filled polypropylene "wishbone" frame, a 5 3/4"-high by 3 5/8"-wide pad of rigid ABS plastic and polyurethane foam.

PostureFit SL (Optional)

The PostureFit SL support shall have a glass-filled polypropylene "wishbone" frame and cover, a 4 1/2"-high by 3 3/8"-wide sacral pad and 4 7/8" high by 4 1/8" wide lumbar pad of rigid ABS plastic and polyurethane foam. The sacral and lumbar pads are snap fit to an impact modified nylon stem. The operating mechanism is a nylon knob with TPE overmold with integral bevel gear, driving a bevel gear and conical worm gear set made of acetal. The worm gear drives a flexible nylon strap via integral rack teeth. The flexible strap attaches to the back frame with carbon steel screws. The stem snaps to the flexible rack and interfaces with the body of the wishbone cover through a spring loaded plunger made of acetal.

Lumbar Pad (Optional)

The lumbar pad shall be a nylon bow with integral attachment clip features on each side. A flexible Hytrel strap shall be stretched across the width of the lumbar bow, connecting with a hook and loop. A 5 1/2" high by 4 1/4" wide support pad made of nylon snaps to the center of the strap with 4 snaps.

Arms (Optional)

The work chair shall be available with no arms, fixed arms, height-adjustable arms, height-adjustable with pivot arms, or fully adjustable arms. Each arm shall have a yoke of die-cast aluminum with either a polished, smooth or wrinkle-coat powder-coat epoxy finish.

The fixed and height adjustable arms shall have a glass filled nylon arm support and is attached to the yoke with two carbon steel screws.

The height adjustable arm with pivot shall have a glass filled nylon arm support. An acetal detent insert snap fits into the pivot only support and is attached to the yoke with a stainless steel pivot spring and two carbon steel screws.

The fully adjustable arm has a carbon steel support plate that slides between an acetal detent plate and acetal pivot block. A high strength low alloy steel spring bracket connects the support plate and detent plate to the pivot block with a set of hooks and snap fit features. The pivot block is attached to the yoke with a stainless steel pivot spring and two carbon steel screws.

The yokes shall attach with screws to slots in the swing arms, at the right and left sides of the chair back. The yoke of a height-adjustable arm or of a fully adjustable arm shall ride up and down in the slot, its position controlled by an injection-molded acetal lever connected to a carbon steel bolt. The bolt connects a series of flat steel leaf springs, acetal slide bearing and stainless steel lock plate. A stainless steel bearing strip is added to swing arms with height adjustment.

See "Adjustments" for adjustable-arm ranges. Chairs with fixed arms shall have polypropylene fillers in the swing arm slot above and below the yoke. The seat-to-arm height for the fixed-arm chair will be 8 1/2". Fixed and adjustable arms can be added or removed on site. Fillers of polypropylene cover the slots in the swing arms when arms are removed.

Chairs shall have 11 1/2"-by-4" armpads that shall be foamed in place to a nylon armpad insert on the armpad support. Standard nonupholstered armpads shall be self-skinning urethane foam molded over a nylon insert. Optional upholstered armpads shall be polyurethane foam covered with leather. See the "Fabrics Fire Retardancy" section for leather and Customer's Own Leather (COL). Refer to the current Herman Miller price book for exact yardage and additional information. Armpads can be replaced on-site. (See Service Parts in Kiosk.)

Tilt

The tilt mechanism shall contain 2 fiberglass leaf springs, a nylon gear-driven tension adjustment and a die-cast aluminum front and rear housing with either a polished, smooth or wrinkle-coat powder-coat epoxy finish. A 3-piece ABS cover shall snap together to enclose the mechanism.

The tilt limiter lever and the seat angle adjustment lever extend from the left side of the tilt mechanism. The tilt limiter shall be glass-filled nylon with a soft TPE overmolded grip region. The seat angle lever shall be a glass-filled nylon insert with a soft TPE grip overmolded to a carbon steel hex shaft.

The tilt tension knob extends from the right side of the tilt mechanism. The knob shall be a steel hex shaft with an overmolded glass-filled polypropylene insert and a soft TPE overmolded knob. A glass-filled polypropylene sleeve covers the shaft.

Construction **Work Stool Base**

Work Stool Base

Continued

The low- and high-range stool base shall house a unitized, dual-inner-tube pneumatic seat-height adjustment mechanism. The inner tube with the tapered end that's pressed into the tilt casting shall rotate in a polymer bushing, while the inner tube with grooves to accept the footring adjustment mechanism shall slide in a polymer bushing. The outer tube, which shall be coated black, shall have a tapered end pressed into the base casting. Both inner tubes and outer tube shall be steel.

The footring assembly shall be a 23.5"-diameter, painted, die-cast footring; sliding over an extruded aluminum center support tube with an integral locking mechanism. A glass filled nylon top and bottle cap fastened to the center support tube. The top cap aligns and is mechanically assembled to the grooved inner tube. A footring tread constructed of an elastomeric tread over-molded onto a polypropylene ring is fastened to the footring casting. The locking mechanism is constructed of a glass reinforced nylon hub that threads into the footring casting. Four Hytrel elastomeric over-molded PBT brake pads are encapsulated with the hub.

See "Adjustments" for seat-height ranges.

Pneumatic cylinders can be replaced on site. (See Service Parts in Omni.)

The 5-star base shall be either die-cast aluminum, with either a polished smooth or wrinkle-coat powder-coat epoxy finish or a glass filled nylon material. The chair shall swivel 360°.

Stools shall be furnished with interchangeable casters. See the "Casters and Glides" section for additional information.

Adjustments PostureFitSL(Optional)

The optional PostureFit support shall have 1" of inward adjustment that shall be user controlled with an adjustment knob.

Lumbar Pad (Optional)

The optional lumbar pad shall grip the rails in the back frame to allow the user to slide it up and down within a 4 1/2" range. See the "Seating Measurements" chart for pad dimensions.

Seat Height

Seat height shall be controlled by a glass-filled nylon lever and paddle mounted on the right swing arm.

The low stool seat height range shall be 24 3/4" to 29 1/4". The high stool seat height range shall be 28" to 34 1/4"

Footring Height

The footrest assembly is user adjustable by rotating the footring, clockwise to lock and counterclockwise to unlock. The footring adjusts in height (up and down) together with the stool seat. The low stool shall have an adjustment range from 15" to 17.5" from the seat pan to the footring. The high stool shall have an adjustment range from 15" to 20.5" from the seat pan to the footring

Tilt

The tilt shall allow the user's body to pivot at the ankles, knees, and hips. The back-to-seat tilt ratio shall be 2° to 1° when the chair is reclined from a neutral angle. A chair with a standard tilt (AER711 and AER721) or with a tilt limiter (AER712 and AER722) shall have a nominal 12° body-weight-controlled back recline. A chair with a tilt limiter and a seat angle adjustment (AER713 AND AER723) shall have a nominal 21° recline.

The stools with a tilt limiter shall have 3 incremental adjustments to allow the user to limit the amount of back recline within a nominal range 21°. The seat angle adjustment shall let the user select a +4° horizontal or -1° forward seat angle.

Description **AER905A (A-Size)**
 AER905B (B Size)
 AER905C (C-Size)

This PostureFit® support fits on the back of an A-, B-, or C-size Aeron work chair. It provides support to the lower back area, below the beltline, that helps achieve healthier posture and improved lower back comfort.

Construction **PostureFit (Optional)**

The PostureFit support shall have a glass-filled polypropylene “wishbone” frame, a 7 3/4”-high by 8”-wide pad of rigid acrylonitrile butadiene styrene (ABS) plastic and polyurethane foam. The optional PostureFit support shall attach to the side rails and bottom of the back frame.

Description **AER906A (A-Size)**
 AER906B (B- Size)
 AER906C (C-Size)

This PostureFit SL® support fits on the back of an A-, B-, or C-size Aeron work chair. It provides a custom fit in the lower back and lumbar area through direct spinal support that helps achieve healthier posture and improved lower back comfort. The user can adjust the level of support with a knob.

Construction **PostureFit SL (Optional)**

The PostureFit SL support shall have a glass-filled polypropylene “wishbone” frame and cover, a 4 1/2”-high x 3 3/8”-wide sacral pad and 4 7/8” high x 4 1/8” wide lumbar pad of rigid ABS plastic and polyurethane foam. The sacral and lumbar pads are snap fit to an impact modified nylon stem. The operating mechanism is a nylon knob with TPE overmold with integral bevel gear, driving a bevel gear and conical work gear set made of acetal. The worm gear drives a flexible nylon strap via integral rack teeth. The flexible strap attaches to the back frame with carbon steel screws. The stem snaps to the flexible rack and interfaces with the body of the wishbone cover through a spring loaded plunger made of acetal.

Description **AER900NNA (Size A)**
 AER900NNB (SizeB)
 AER900NNC (Size C)

This lumbar pad fits into the back of an Aeron work chair to further support the lower back and lumbar.

Construction The lumbar pad shall be molded nylon bow with integral attachment clip features on each side. Each clip insert shall have 10 C-shaped sections that grip the rails in the back frame and allow the user to slide the pad up and down within a 4 1/2" range. See the "Seating Measurements" chart for pad dimensions.

Description	AER900AF0 (Fully Adjustable Arms, Leather Armpads) AER900HF0 (Height-Adjustable Arms, Leather Armpads) AER900PF0 (Fixed Arms, Leather Armpads) AER900AW0 (Fully Adjustable Arms, Nonupholstered Armpads) AER900HW0 (Height-Adjustable Arms, Nonupholstered Armpads) AER900PW0 (Fixed Arms, Nonupholstered Armpads)
--------------------	-----------------------------------------------------------------------------------------------------------------------------------------------------------------------------------------------------------------------------------------------------------------------------------------------------------------------------------------------------------------------------

These arms can be retrofit to an Aeron work chair. Arm choices include a height-adjustable option that moves the arms 4" vertically and a fully adjustable option that moves the arms 4" vertically and pivots the armpads 16° outward and 16° inward. Arm components are preassembled.

Construction	The arm kits shall be available with fixed, height-adjustable, height adjustable with pivot or fully adjustable arms. Each arm shall have an armpad support and a yoke of die-cast aluminum with either a polished or a smooth or wrinkle-coat powder-coat epoxyfinish.
---------------------	-------------------------------------------------------------------------------------------------------------------------------------------------------------------------------------------------------------------------------------------------------------------------

Kits for fully adjustable, height adjustable and height-adjustable with pivot arms shall an injection-molded acetal lever shall control the position of the yoke. Kits for fully adjustable and height-adjustable arms shall be pre-assembled where possible.

Kits for fixed arms shall have polypropylene fillers to put in the swing arm slot above and below the yoke. Arms can be added on site.

Arms shall have 11 1/2"-by-4" armpads that shall be foamed in place to a nylon armpad insert on the armpad support. Nonupholstered armpads shall be self-skinning urethane foam molded over a nylon insert.

Upholstered armpads shall be polyurethane foam covered with leather. See the "Fabrics Fire Retardancy" section for specific leathers; Customer's Own Leather (COL) shall also be available. Refer to the current Herman Miller price book for exact yardage requirements and additional information. Armpads can be replaced on site. (See Service Parts in Kiosk.)

Adjustments	Adjustable arms shall have a lever which lets the user adjust arm height. The arm height adjustment range shall be approximately 4", and adjustments shall be made to any height within the range.
--------------------	----------------------------------------------------------------------------------------------------------------------------------------------------------------------------------------------------

Fully adjustable arms will have an arm angle assembly that shall have a plastic plate with indents to allow the arm support to pivot to 9 different positions and slide fore-aft to 10 positions.. Arms shall be adjustable to 16° outward, neutral, and 16° inward angles by applying pressure to the side of the arm. A detent spring within the arm assembly shall hold the arms in position. The arm shall slide fore-aft 2.5".

Description **AER901F0 (Leather Armpads)**
 AER901W0 (Nonupholstered Armpads)

These armpads can be retrofit to an Aeron work chair. Finish selections include a self skinning polyurethane foam or leather upholstery.

Construction Arms shall have 11 1/2"-by-4" armpads that shall be foamed in place to a nylon armpad insert on the armpad support. Nonupholstered armpads shall be self-skinning urethane foam molded over a nylon insert.

Upholstered armpads shall be polyurethane foam covered with leather. See the "Fabrics Fire Retardancy" section for specific leathers; Customer's Own Leather (COL) shall also be available. Refer to the current Herman Miller price book for exact yardage requirements and additional information. Armpads can be replaced on site. (See Service Parts in Kiosk.)

Description **AER910**

This frame applique is applied to an Aeron work chair seat, back, and arms to minimize the effect of contact between the chair and a wood-edge surface. The seat and back appliques attach with the chair or stool's existing screws. Coated arm yokes replace existing arm yokes; arm components are preassembled. The arm yokes use the chair or stool's existing arm pads.

Frame applique does not meet CAL 133 requirements.

Construction

The Applique is composed of a vacuum formed ABS plastic material.

The back and seat Applique are both plastic ABS material. The arms are dip coated with a Plastisol material.

Casters	Size (Diameter)	Type	Materials	Use
BB	2 1/2"	hard double wheels	black nylon wheels and yoke	carpet
C7	2 1/2"	double wheels	black nylon wheels and yoke, soft polyurethane tread	hard floors or carpet
DC1	2 1/2"	double wheels with internal brake	black nylon wheels and yoke, soft polyurethane tread, quiet roll	hard floors or carpet
Glides	Size	Materials	Use	
GF	2 1/2" height	black nylon	hard floors or carpet	